

PPC-215

One Panel,
Endless Possibilities



Features

- Onboard Intel Skylake Celeron / i3 & Kaby Lake Celeron / i5 CPU
- 10 points PCAP multi-touch screen
- Intel F/W TPM 2.0
- Front IP65, Fanless System & VESA Compliance
- WiFi/BT module (Project based)
- Extension Module design (Project based)



Intel® Core™ i
CPU



Advanced
Cooling



Metal
Chassis



Front IP65
Spill Proof

Technical Specifications

System Information

Intel® Celeron® 3955U/3965U Processor up to 2.00/2.20 GHz

Intel® Core™ i3-6100U Processor up to 2.30 GHz

Intel® Core™ i5-7300U Processor up to 3.50 GHz

System Memory

- 1 x SO-DIMM DDR4 slot, 8GB RAM (Max support 16GB)

TPM

- Intel® F/W TPM 2.0

Display & Touch

- 21.5" Full HD Display, resolution 1920x1080

- 250cd/m², LED backlight

-10-point PCAP multi-touch screen

Storage

1 x 128GB 2.5" SSD

Expansion

- 1 x Mini-PCIE Socket

Connectivity

- 2 x USB-A 3.0

- 1 x 4-pin DC-Jack with lock

- 1 x Gigabit Ethernet by RJ-45

Audio

- 2 x 2W speaker

Power Requirement

- Input: 100 ~ 240Vac/ 50 ~ 60Hz

- Output: DC+19V, 90W AC to DC Adapter

Mechanical & Construction

- Front panel IP65

- System fan: Fanless operation

- Weight (NW/GW): 5.7 Kgs / 7.5 Kgs

- Dimension (WxHxD): 508.4 x 305 x 61.89mm

- Mounting: Wall / Pole / VESA 100x100

- Construction: Aluminum frame with sheet metal chassis

Where Sharp Visuals Meet Smooth Interaction



Built for Diverse Installations

Celeron



VESA ● 100 x100

i3 i5



VESA ● 75 x75
● 100 x100

Environmental

- Operating temperature: 0°C ~ 40°C, 10% ~ 90% Relative Humidity, Non-condensing
- Storage Temperature: -20°C ~ 60°C, 10% ~ 90% Relative Humidity, Non-condensing

Certification

- CE/FCC/LVD

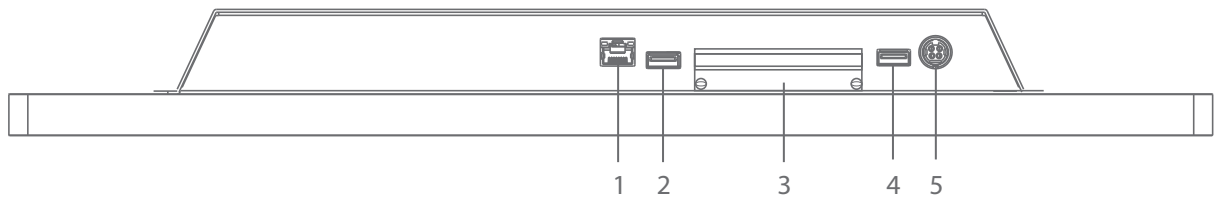
OS Support

- Windows 10 (64 bit), Linux (Ubuntu 16.04)

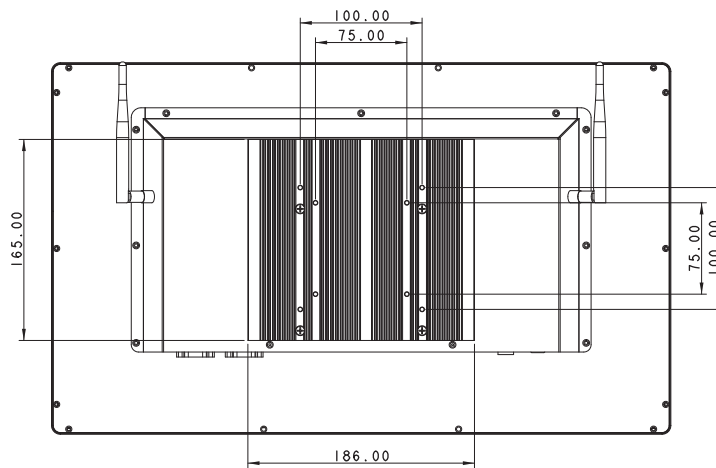
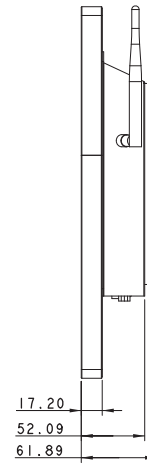
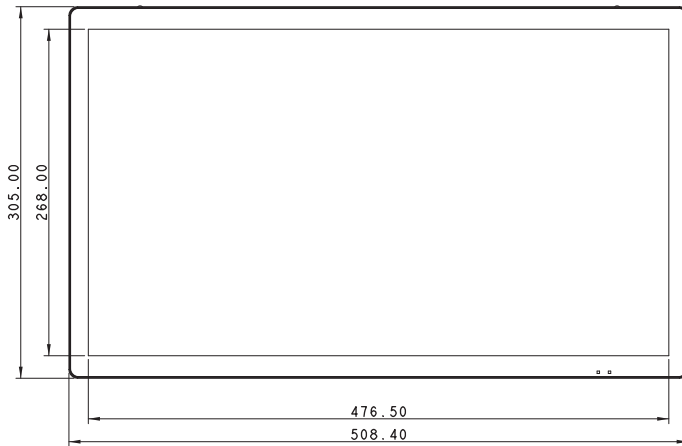


Rich I/O

1. LAN
2. USB 3.0
3. RAM
4. USB 3.0
5. DC19V



Dimension



Unit : mm

Poindus Systems Corp. Headquarters

5F, No.59, Ln. 77, Xing-Ai Rd., Neihu Dist.,
Taipei City 114, Taiwan. R.O.C

+886 2 7721 4688

www.poindus.com

sales@poindus.com

Varlink Limited

Unit 1 Osbaldwick Industrial Estate,
Outgang Lane, York, YO19 5UX, UK.

+44 1904 717180

www.varlink.co.uk

ADASYS GmbH

Max-Planck-Str. 10 70806
Kornwestheim, Deutschland

+49 7154 83000

www.adasys.de