

VariPOS S156

Minimalist Design.
Maximum Power.



Features

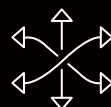
- Total System Stability with Advanced Cooling Fanless Design for maximum performance
- Support Intel® Celeron, Alder Lake P, U-series i3, i5 and i7 CPU.
- Slim modern design with 15.6" (16:9) slim edge Pcap touch design.
- Operator screen swivelable design and supports a range of rear displays.
- No ventilation holes fan-less design – no moving parts and requires no ventilation maintenance.
- Small in size with rich IO ports and functions expansion support (project based) – RAID 0/1, Powered USB.
- Comprehensive support of add-on POS peripherals.



Intel Core
CPU



Advanced
Cooling

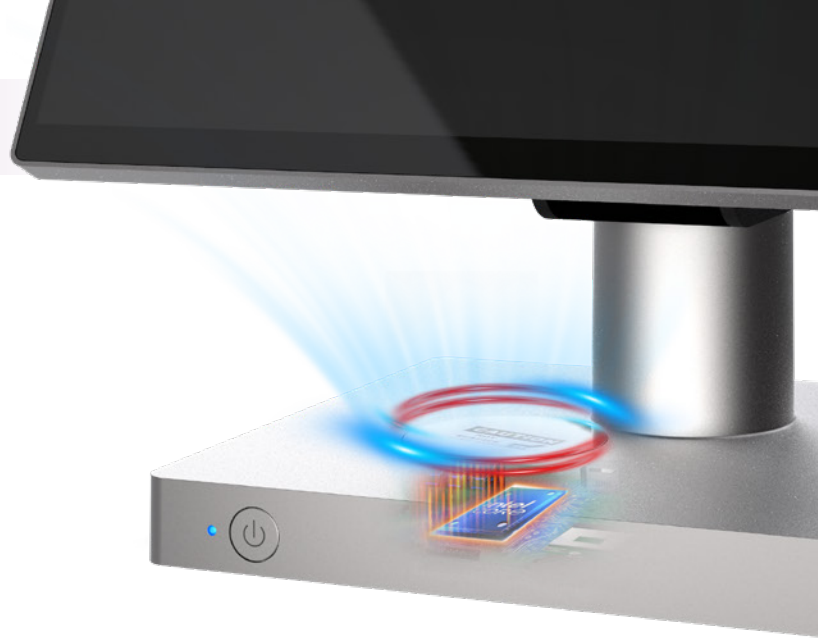


Versatile
peripherals



Multiple Display
Options

Cooling design



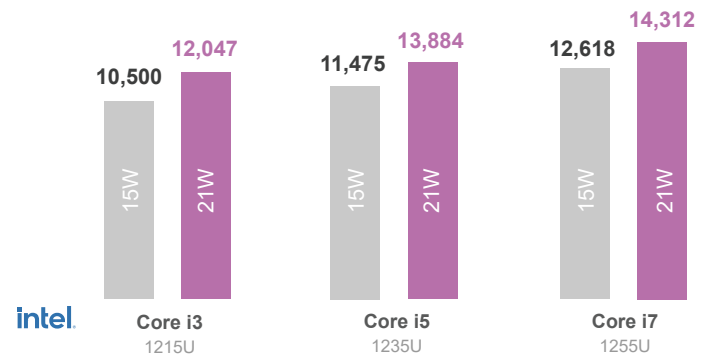
Advanced Cooling Design for Enhanced Performance

- Innovative copper heat sink (401 W/m·K) for rapid cooling.
- Designed to support 21W higher CPU TDP for enhanced stability and operational potential.
- Efficient cooling prolongs product lifespan

Maximized Benchmark Performance

- Fine-tuned TDP parameters for optimized efficiency.
- At 21W, i3 performance rivals i5 at 15W.

Customized CPU power level by project request



CPU Benchmark By PerformanceTest 11

Adaptive Viewing

Versatile Display Adjustment for Improved Usability

- Swivelable main display for greater environment compatibility.
- Triple-hinge 10.1" 2nd display for versatile angle adjustment.
- Tilt, swivel, and height flexibility for optimal viewing.



Flexibility

Tailored Flexibility for Exceptional Experiences

- Modular 2nd display options for flexible configuration.
- Adaptable designs to fit diverse requirements.



▲ 2nd display 10.1"



▲ LCM



▲ 2nd display 15"
(for PE26 only)



▲ 2nd display 15.6"
(for PE26 only)



▲ 2nd display 21.5"
(for PE26 only)

SoftPOS Payment Support

Empowering Transactions with Smart 2nd Display

- 10.1" 2nd display for interactive payment
- Supports Windows-compatible SoftPOS with NFC payment.
- Simplifies checkout and enhances experience



Peripherals

Full Range of Retail Ready Peripherals

- The VariPOS S Series delivers a complete range of retail ready peripherals.
- Plus a range of Full Size Customer Displays



▲ fingerprint



▲ Barcode Scanner



▲ iButton



▲ RFID

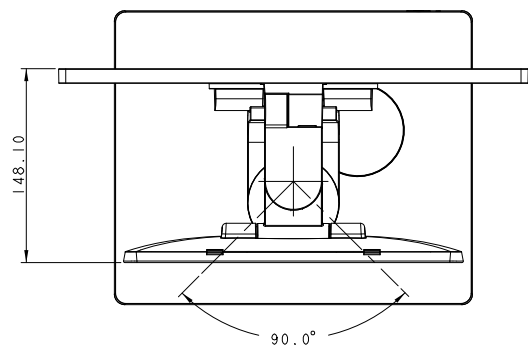
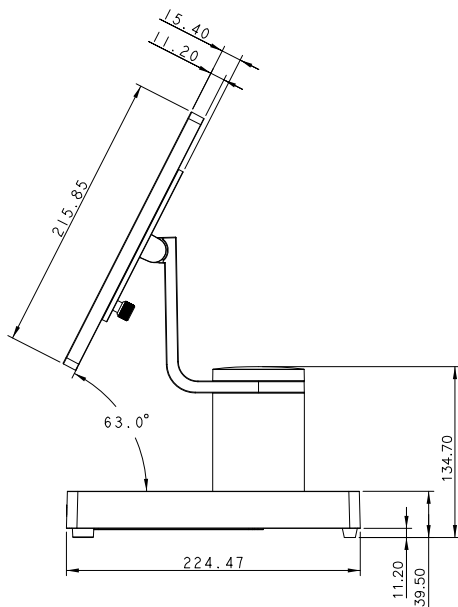
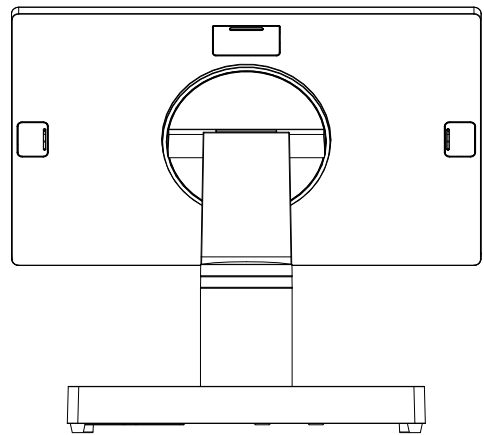
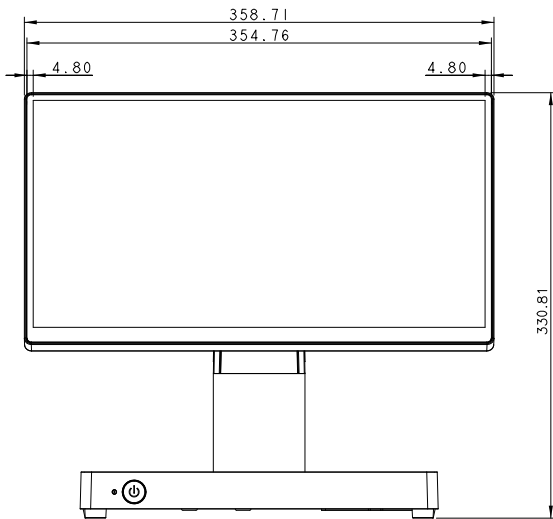
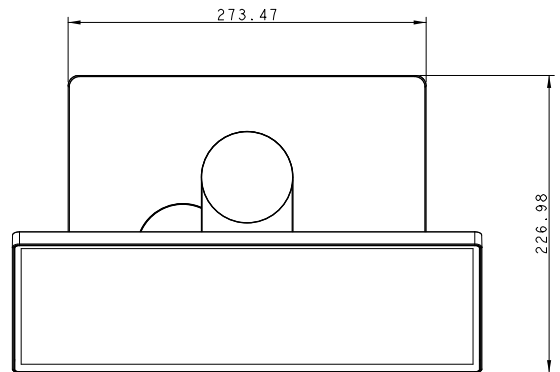
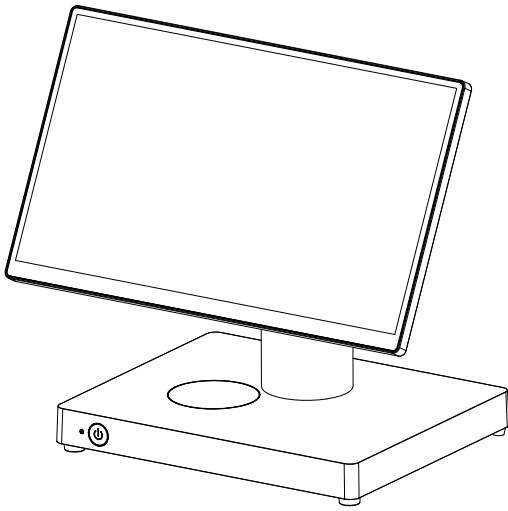


▲ MSR

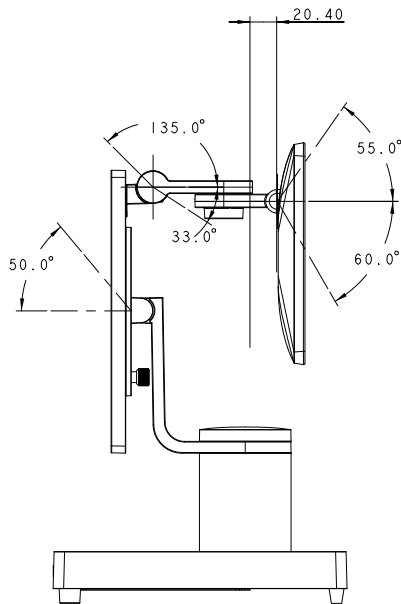
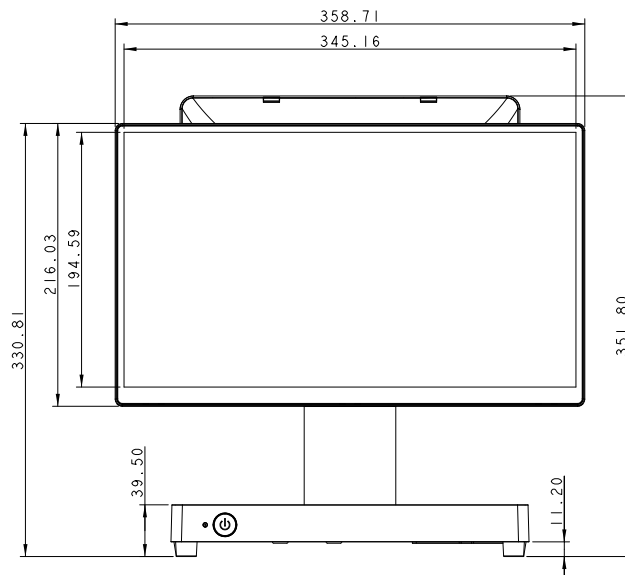
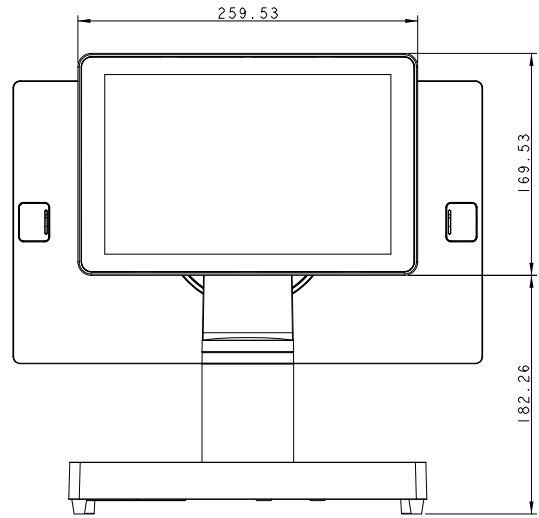
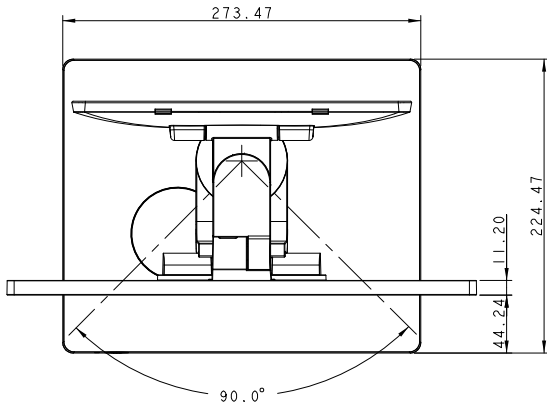
Technical Specifications

System Information	<p>PE24 Intel® Elkhart Lake Celeron</p> <p>PE26 Intel® Alder Lake-P, U-Platform - Core i7 up to 4.7 GHz (Project Based) - Core i5 up to 4.4 GHz - Core i3 up to 4.4GHz</p> <p>System Memory - PE24 : 1 x SO-DIMM DDR4 slot, 8GB RAM as standard. Max. memory support up to 16GB - PE26 : 1 x SO-DIMM DDR5 slot, 8GB RAM as standard. Max. memory support up to 32GB</p> <p>Intel® AMT - i5 / i7 CPU</p> <p>TPM - Intel® F / W TPM 2.0</p>
Display & Touch	<ul style="list-style-type: none">- 15.6" 16:9 FHD Display, resolution 1920 x 1080- 350 nits, LED backlight- 10-point PCAP multi-touch screen
Storage	<p>PE24 1 x M.2 PCIe SSD</p> <p>PE26 1 x M.2 PCIe SSD or 2 x 2.5" SSD for RAID 0/1 (Project based)</p>
Expansion	1 x M.2 E Key (for WiFi / BT project based)
Connectivity	<ul style="list-style-type: none">- 3 x USB 2.0, 3 x USB 3.1- 2 x RJ-48 COM Ports (Support DC+0 / 5 / 12V by BIOS setting, default is 0V)- 1 x Type C (DP+PD)- 1 x RJ45 Gigabit Ethernet support 10 / 100 / 1000M, WOL, PXE- 1 x RJ11 support DC+12V or 24V (default) port, by jumper setting, support 2 cash drawers- 1 x 4-pin DIN with lock for DC-IN
Optional Configuration (Project based)	Powered USB ports (2 x DC+12v, 1 x DC+24v) + 1 x 2.5" SSD or RAID 0/1 (Dual 2.5" SSD)
Audio	2 x 2W speaker
Power Requirement	<ul style="list-style-type: none">- Input : 100 ~ 240Vac / 50 ~ 60Hz- Output : DC+19V, 65W AC to DC Adapter (PE24)- Output : DC+19V, 90W AC to DC Adapter (PE26) (w/PUSB will use 180w adaptor)
Peripheral	<ul style="list-style-type: none">- 3-Track MSR (AES/TDES Encryption / iButton reader / RFID reader / Fingerprint reader / Barcode Scanner, USB interface- 2x20 character LCM, USB interface (Rear Panel Mounted)- 10.1" 16:10 @ 1280 x 800 2nd screen, with or without touch, NFC (Support NFC 13.56 MHz, ISO 14443 A / B, ISO 15693, ISO 18092, FeliCa), USB interface (Rear Panel Mounted)- 15" 4:3 1024 x 768 2nd screen for PE26 (Base Bracket Mounted)- 15.6" 16:9 1920 x 1080 2nd screen (Landscape or Portrait mode) for PE26 (Base Bracket Mounted)- 21.5" 16:9 @ 1920 x 1080 2nd screen for PE26 (Base Bracket Mounted)- Payment holder for Verifone VX820, MX915, PAX A80 (Base Bracket Mounted)
Mechanical & Construction	<ul style="list-style-type: none">- Construction: Die-cast aluminum housing with plastic covers- Default color: Platinum Silver- Front panel IP54- System fan: Fanless operation- Weight (NW/GW): 4.3 Kgs / 5.9 Kgs- Dimension (WxHxD): 358.71 x 330.81 x 224.47mm
Environmental	<ul style="list-style-type: none">- Operating temperature : 0°C ~ 40°C, 10% ~ 90% Relative Humidity, Non-condensing- Storage Temperature : -20°C ~ 60°C, 10% ~ 90% Relative Humidity, Non-condensing
Certification	CE / FCC / LVD
OS Support	Windows 10 / 11 (64 bit), Linux (Ubuntu 22.04)

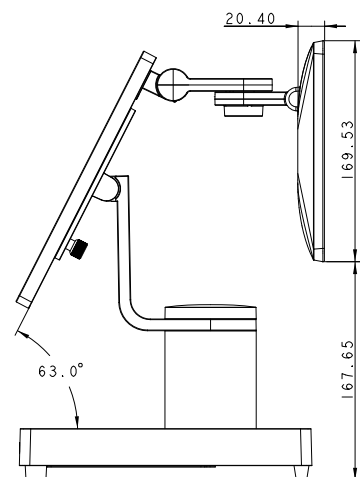
Dimension



Dimension

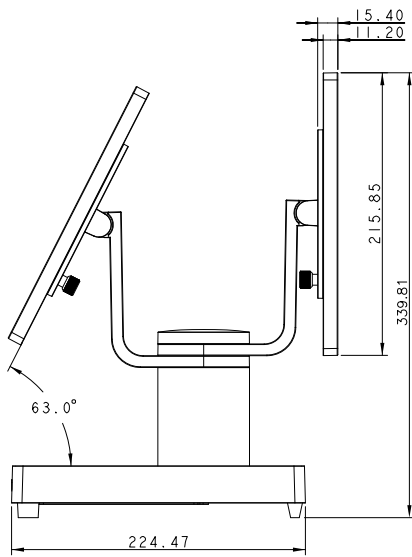


VariPOS S156 + M135 (Triple-Hinge)

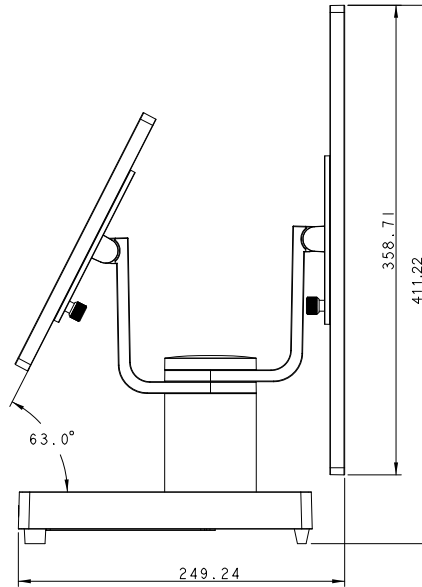


VariPOS S156 + M135 (Triple-Hinge)

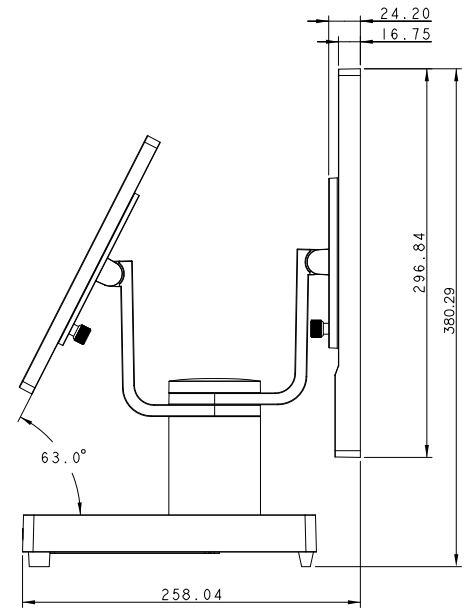
Dimension



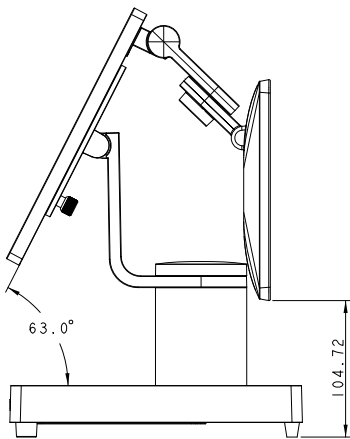
S156 + S156H



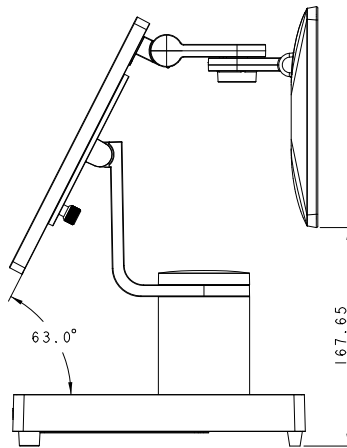
S156 + S156L



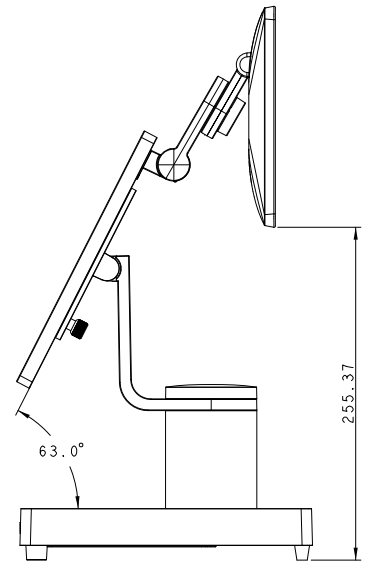
S156 + S215H



VariPOS S156 + M135 (Triple-Hinge)



VariPOS S156 + M135 (Triple-Hinge)



VariPOS S156 + M135 (Triple-Hinge)

Unit: mm

Poindus Systems Corp. Headquarters

5F, No.59, Ln. 77, Xing-Ai Rd., Neihu Dist.,
Taipei City 114, Taiwan. R.O.C

+886 2 7721 4688

www.poindus.com

sales@poindus.com

Varlink Limited

Unit 1 Osbaldwick Industrial Estate,
Outgang Lane, York, YO19 5UX, UK.

+ 44 1904 717180

www.varlink.co.uk

ADASYS GmbH

Max-Planck-Str. 10 70806
Kornwestheim, Deutschland

+ 49 7154 83000

www.adasys.de